

ADC Structured Cabling Solutions

Plug-and-Play Microcable Trunk Assemblies

Issue 2



ADC's Plug-and-play micro cable trunk assemblies are round 12 fibre optical trunk cables pre-terminated with a high-density MPO connector on both ends. They can be used in conjunction with any of the other plug-and-play connectivity products to rapidly deploy fibre into a data centre or Local Area Network (LAN). The ADC Micro cable assemblies can simply be plugged into any plug-and-play cassette in the optical distribution frame or fibre enclosure which eliminates the need for on-site fibre termination and preparation.

Features:

- Consists of a round Kevlar reinforced cable with integrated MPO strain relief and pulling pod
- Round design with outer diameter of 5.5mm eliminates preferential bend issues which results in increased density and greater manageability
- Compatible with ADC's FiberGuide® Optical Raceway system to add increased protection and manageability

SPEC SHEET



www.adc.com/in • 1800 425 8232



ADC Structured Cabling Solutions

Plug-and-Play Microcable Trunk Assemblies

Polarity Made Simple

One of the most common questions regarding MPO deployments is how the system design addresses the polarity issue of the fibre. ADC's ADC Structured Cabling® system employs the recommendations made in TIA standard TIA-568.B.1-7. The ADC Structured Cabling® plug-and-play trunks utilize a key up/key down fibre array as noted in TIA-568.B.1-7, and ADC Structured Cabling® plug-and-play cassettes are wired straight through. In addition, the ADC Structured Cabling® duplex jumpers have a duplex clip that is easily removed for polarity changes in the field.

103941AE_MPO Trunk Cable • Issue 2 Plug-and-Play Microcable Trunk Assemblies

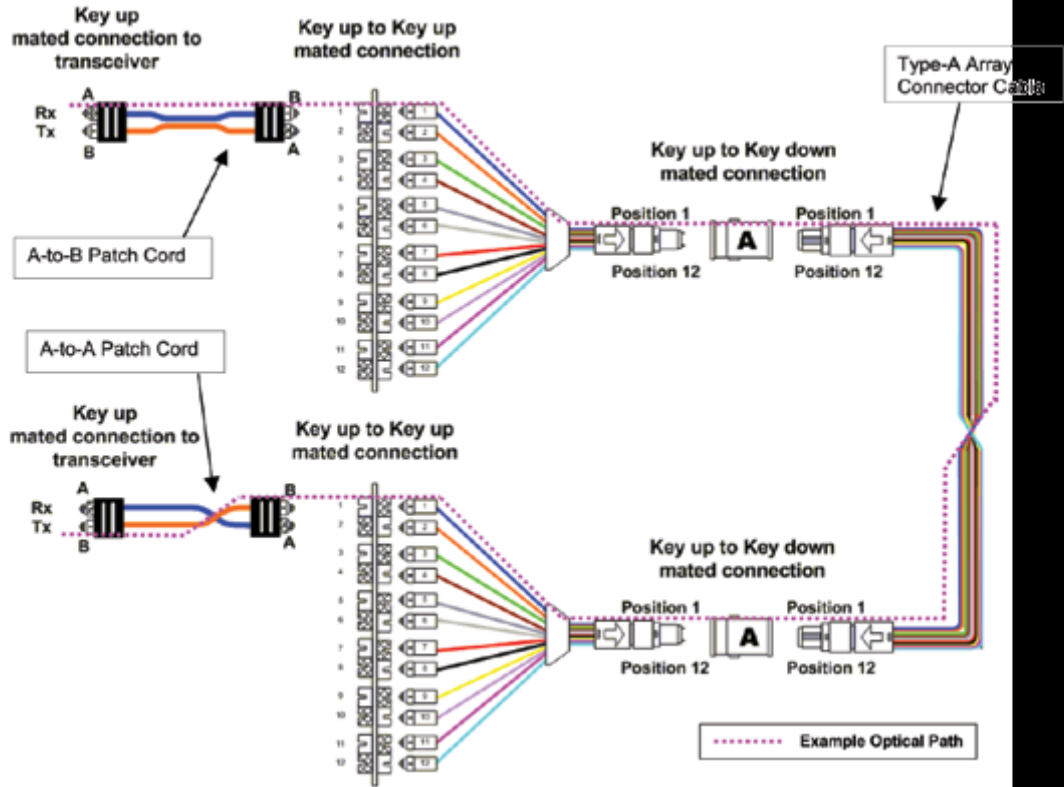


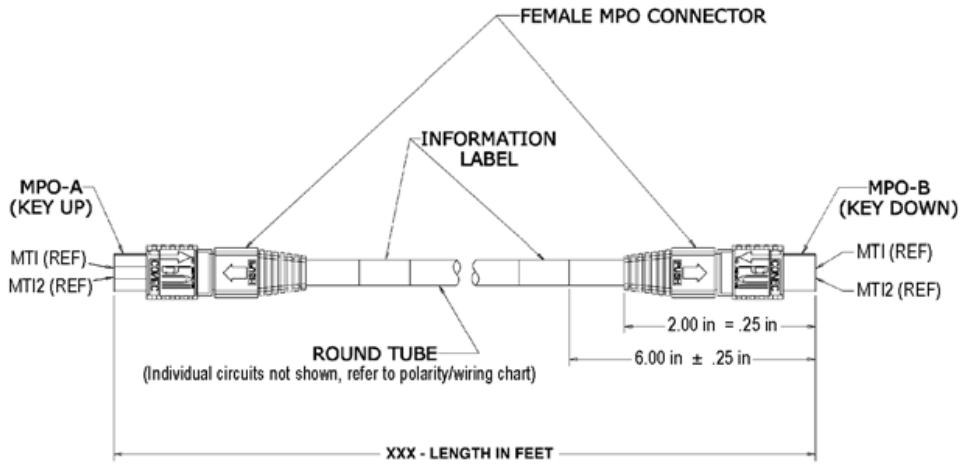
Figure 1: Connectivity Method A for Duplex Signals



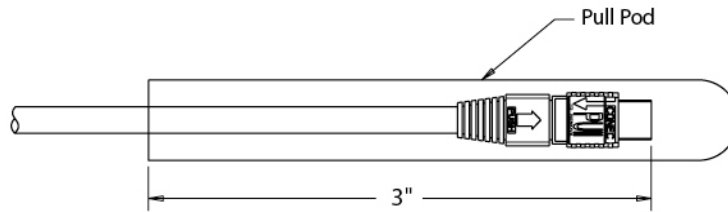
ADC Structured Cabling Solutions

Plug-and-Play Microcable Trunk Assemblies

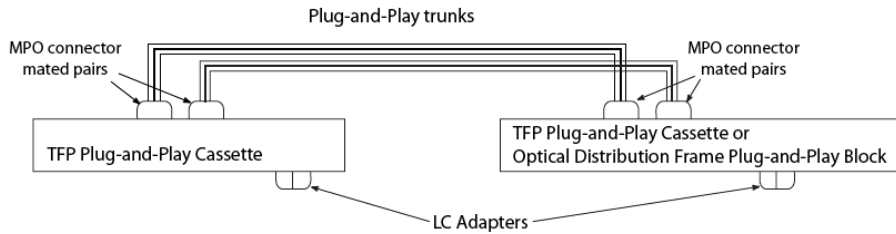
Specifications



PULLING POD DIMENSIONS



OPTICAL SPECIFICATIONS



	850nm	1310nm
Module Loss (measured through MPO mated pair to LC adapter)		
Insertion Loss		
Maximum	0.5 dB	1.0 dB
Typical	0.25 dB	0.4 dB
Return Loss		
Maximum	—	55 dB
Trunk Loss (per meter)		
Maximum	.0035 dB	.001 dB
Channel/Link Loss with 31 meter trunk (100feet) (as in figure above)		
Maximum	1.1085 dB	2.031 dB
Typical	0.6085 dB	0.831 dB

103941AE_MPO Trunk Cable • Issue 2 Plug-and-Play Microcable Trunk Assemblies

ADC Structured Cabling Solutions

Plug-and-Play Microcable Trunk Assemblies

ENVIRONMENTAL CHARACTERISTICS

Storage Temperature: -40° to 70 °C (-40° to 158 °F)
 Operating Temperature: 0° to 70 °C (-32° to 158 °F)
 Installation Temperature: 0° to 70 °C (-32° to 158 °F)

Compatibility with FiberGuide

	Microcable Plug-and-Play Trunk 5.5mm
Recommended patch cord density (per in2)	10
Maximum patch cord density (per in2)	12

ADC Recommended Density

	FiberGuide System					
Trough Pile-up	2x2	2x6	4x4	4x6	4x12	4x24
2-inch	40	120	80	120	240	480
3-inch	-	-	120	180	360	720
4-inch	-	-	160	240	480	960

Maximum Density

	FiberGuide System					
Trough Pile-up	2x2	2x6	4x4	4x6	4x12	4x24
2-inch	48	144	96	144	288	576
3-inch	-	-	144	216	432	864
4-inch	-	-	192	288	576	11

Ordering Information

Description	Product No.
MPO-MPO trunk, 12-fiber microcable, 50/125 multimode laser optimised to 300 metres, plenum jacket with pulling pod	MRM-AF/AFEGXXXXF
MPO-MPO trunk, 12-fiber microcable, singlemode reduced water peak fibre, plenum jacket with pulling pod	MRS-AF/AFEAXXXF

XXX = length in feet (standard lengths):

020 = 020 ft	125 = 125 ft
040 = 040 ft	150 = 150 ft
060 = 060 ft	200 = 200 ft
080 = 080 ft	250 = 250 ft
100 = 100 ft	300 = 300 ft

For additional custom lengths, please contact ADC.

*KRONE Communications Ltd. is now ADC India Communications Ltd.

SPEC SHEET



www.adc.com/in

10C, II Phase Peenya Industrial Area
 Bangalore 560 058
 Sales Support: 1800 425 8232

ADC Telecommunications, Inc., P.O. Box 1101, Minneapolis, Minnesota USA 55440-1101

Specifications published here are current as of the date of publication of this document. Because we are continuously improving our products, ADC reserves the right to change specifications without prior notice. At any time, you may verify product specifications by contacting our headquarters office in Minneapolis. ADC Telecommunications, Inc. views its patent portfolio as an important corporate asset and vigorously enforces its patents. Products or features contained herein may be covered by one or more U.S. or foreign patents. An Equal Opportunity Employer

103941AE_MPO Trunk Cable / Issue 2 © 2010 ADC Telecommunications, Inc. All Rights Reserved.